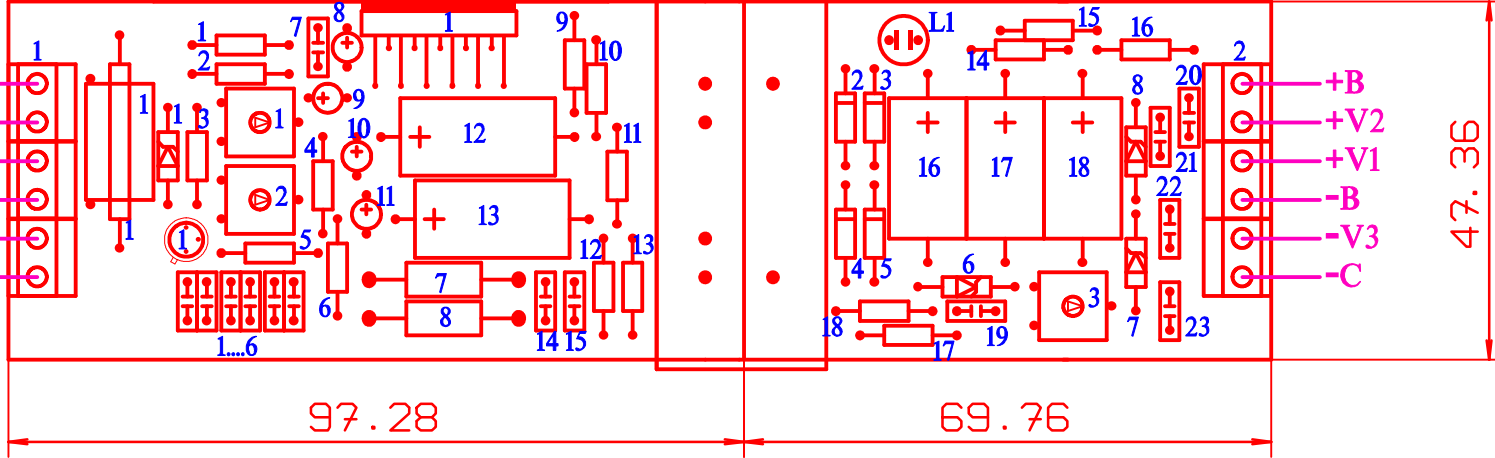


167.04

60.16

- A-
- A+
- 2.4
- +2.4
- +12
- 12



47.36

97.28

69.76